

Vacuum Ejectors

Vacuum Ejectors MC

Suction capacity: 342 L/min to 744 L/min

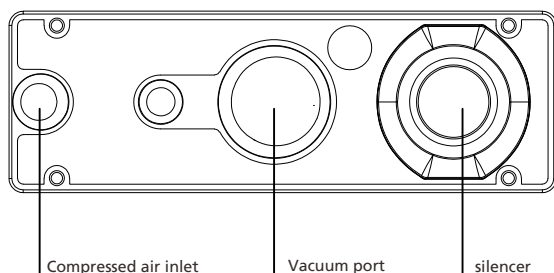
Vacuum Ejectors MC



Introduction and application

- ◆ Vacuum interface thread is G1/2 or G3/4
- ◆ Available in a variety of configurations to customize to your specific needs. The Si vacuum tube provides high vacuum flow and the Xi vacuum tube provides high vacuum.

System Design Vacuum Ejectors MC



Design

- ◆ The body is made of lightweight impact resistant plastic
- ◆ Can be used 1 to 2 vacuum tubes
- ◆ The seal is made of NBR rubber
- ◆ Alternate component: Plastic silencer vacuum table

Ordering Guide Vacuum Ejectors MC

Type	Vacuum tube type	Series * Number	Ordering Data
MC25-S G1/2	SI32	3 × 1	90.05.01.00145
MC50-S G1/2	SI32	3 × 2	90.05.01.00146
MC25-X G1/2	XI40	3 × 1	90.05.01.00143
MC50-X G1/2	XI40	3 × 2	90.05.01.00144
MC25-S G3/4	SI32	3 × 1	90.05.01.00217
MC50-S G3/4	SI32	3 × 2	90.05.01.00218
MC25-X G3/4	XI40	3 × 1	90.05.01.00215
MC50-X G3/4	XI40	3 × 2	90.05.01.00216

Technical Data Vacuum Ejectors MC

Type	Maximum vacuum [%]	Maximum suction force [l/min]	Air consumption [l/min]	Operating pressure [bar]	weight [g]	Operating temperature [°C]
MC25-S	70	342	90	5	550	-10...80
MC50-S	70	684	180	5	550	-10...80
MC25-X	91	372	120	5	550	-10...80
MC50-X	91	744	240	5	550	-10...80

Vacuum Ejectors

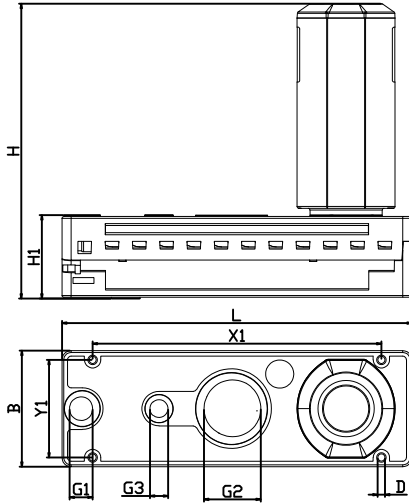
Vacuum Ejectors MC

Suction capacity: 342 L/min to 744 L/min



Design Data Vacuum Ejectors MC

MC

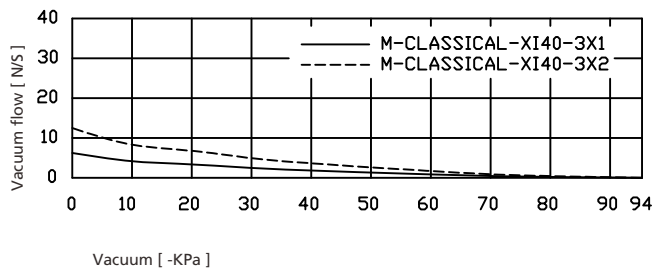


Type	Dimensions [mm]									
	B	D	G1	G2	G3	H	H1	L1	X1	Y1
MC-G1/2	64	4.1	G1/4-F	G1/2-F	G1/8-F	162.6	46	193	159.3	53.8
MC-G3/4	64	4.1	G1/4-F	G3/4-F	G1/8-F	162.6	46	193	159.3	53.8

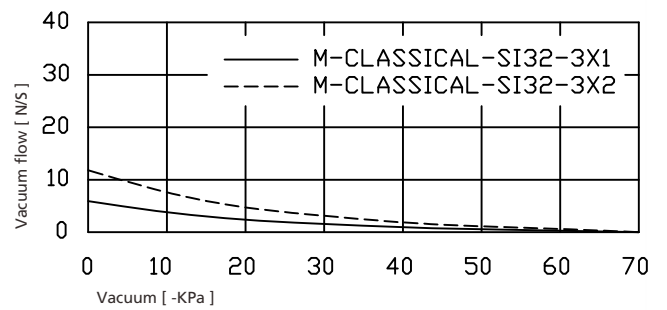


Performance curve Vacuum Ejectors MC

Vacuum flow corresponding to different vacuum degrees at 5 bar working pressure



Vacuum flow corresponding to different vacuum degrees at 5 bar working pressure



Combined Suction Cups

Vacuum Suction Cups

Composite Suction Cups

Special Grippers

Vacuum Gripping Systems

Mounting Elements

Vacuum Generators

Valve Technology

Switch And Monitoring

Vacuum Filters